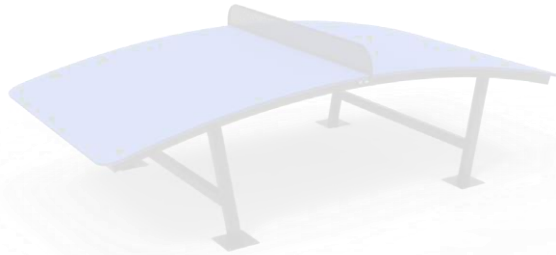


# DOCUMENTATION TECHNIQUE



THEURBANSport.COM

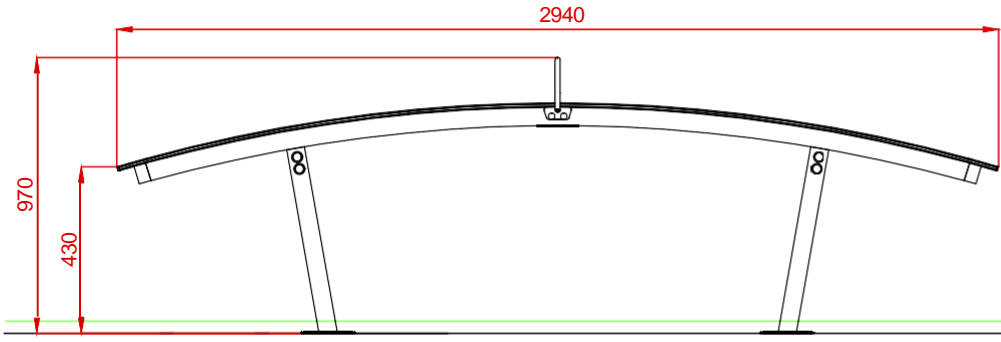
Ref.: MPF001

TEQBALL PRO

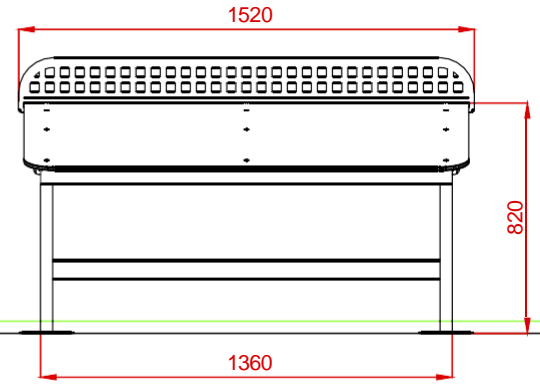
UNE EN 15312:2007 + A1:2011

Support structure made of zinc-plated and lacquered steel.  
Plastic components: High-density polyethylene with UV protection.  
Upper net made of zinc-plated and lacquered steel.  
Screws protected with polypropylene caps.

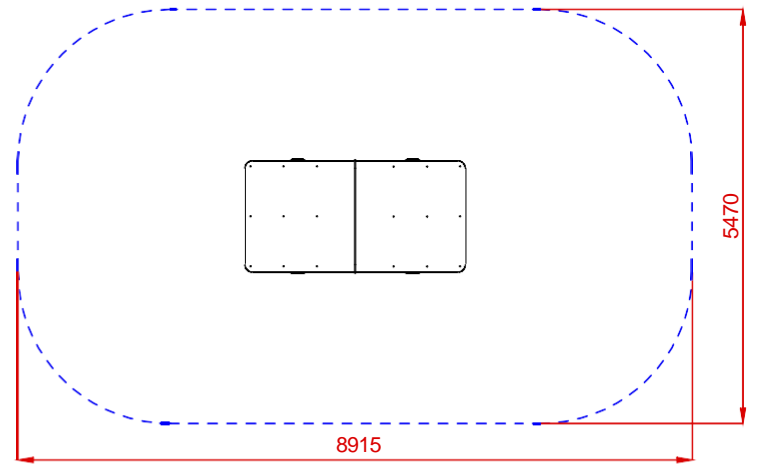
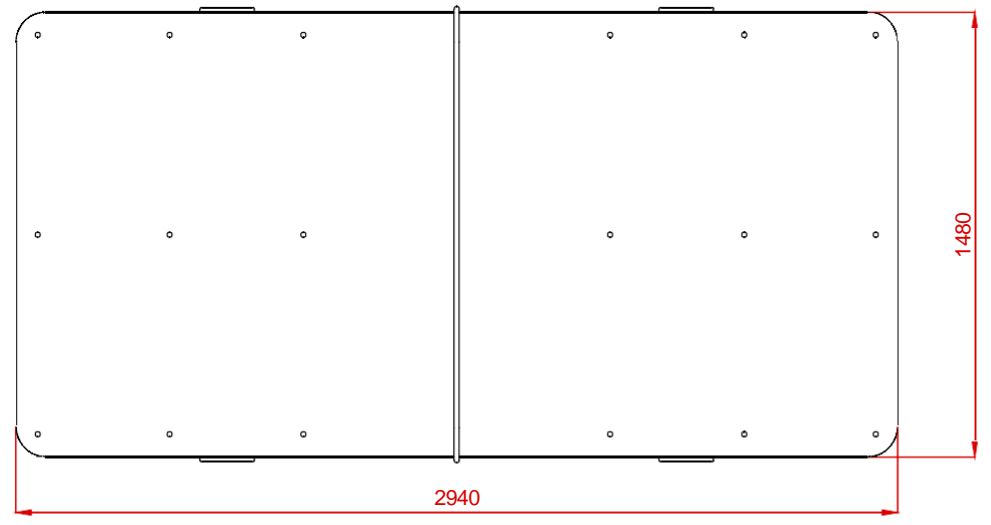
ELEVATION



PROFILE



GROUND PLAN

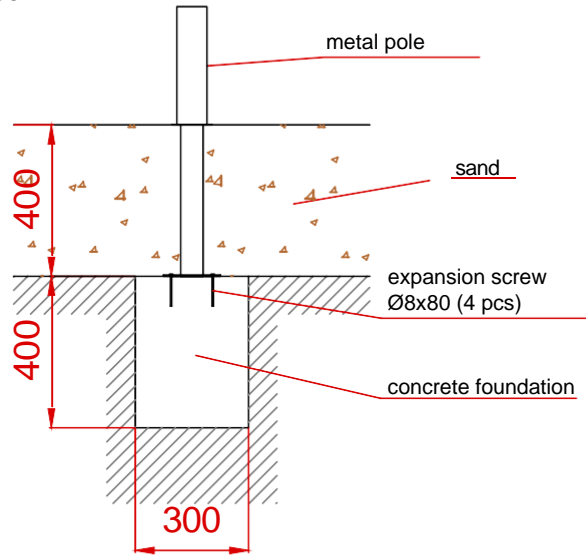


SECURITY AREA  
 Area= 45,32 m2  
 E:1/4

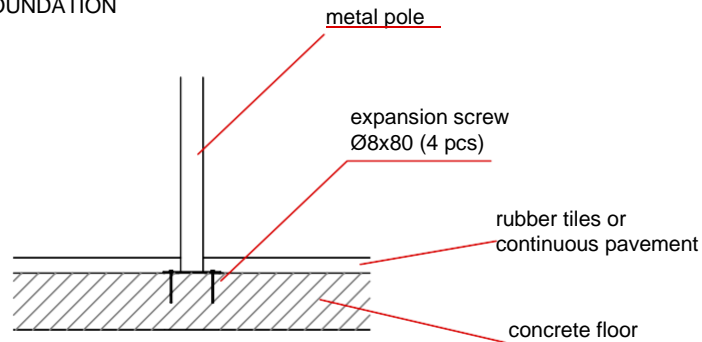
Dibujado		PLANE 1		MPF001
Revisado		GENERAL VIEWS		
Aprobado				
Descripción:		TEQBALL PRO	Escala: N° Hoja: 2/3	THEURBANSPORT.COM
			Fecha: 08/11/2021	

### FOUNDATION DETAILS

FOUNDATION SCHEME IN SAND

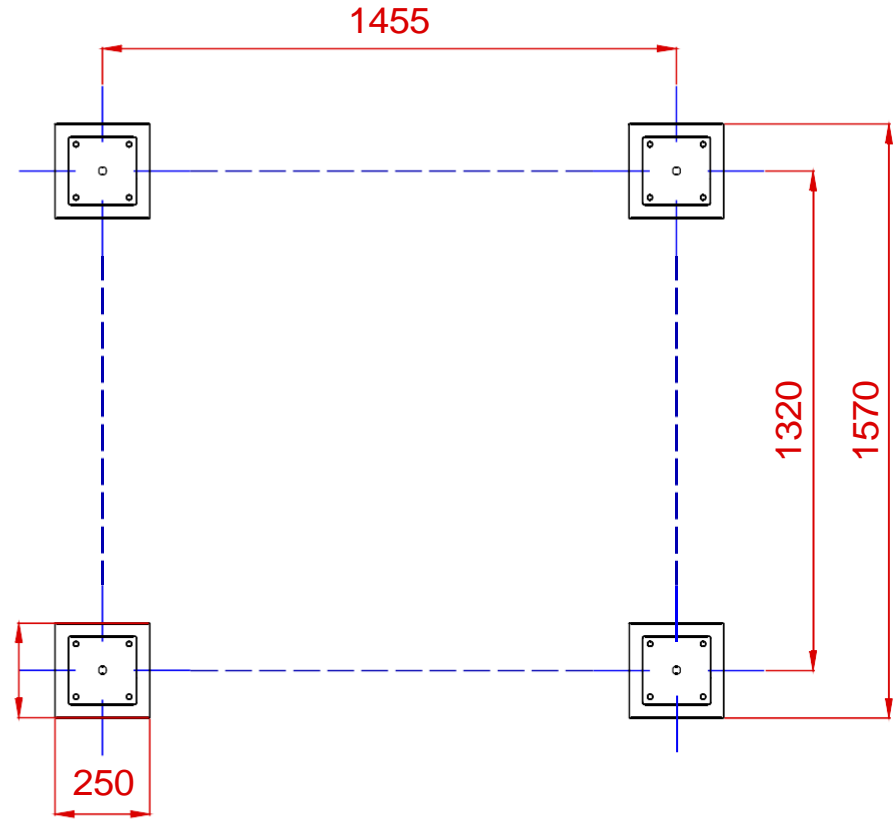


CONCRETE FOUNDATION SCHEME



ANCHORAGE DETAIL

GROUND PLAN



Dibujado		PLAN 2 FOUNDATIONS AND ANCHORAGES	MPF001
Revisado			THEURBANSPORT.COM
Aprobado			
Descripción:		Escala:	Nº Hoja
TEQBALL PRO			3/3
		Fecha:	08/11/2021

## TEQBALL PRO TABLE COLOURS



TEQBALL PRO BLUE  
Ref.: MPF001-01



TEQBALL PRO RED  
Ref.: MPF001-02



TEQBALL PRO YELLOW  
Ref.: MPF001-03



TEQBALL PRO GREEN  
Ref.: MPF001-04



TEQBALL PRO ORANGE  
Ref.: MPF001-05